

LIGHTING FOR COMPLEX ENVIRONMENTS

1' X 4'

APPLICATIONS

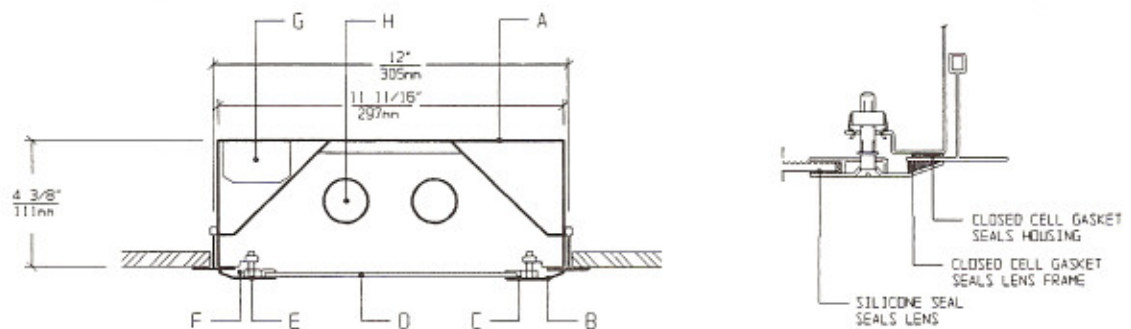
- Cleanrooms
- Food processing centers
- Hospitals
- Pharmaceutical and Biological labs
- Wet Locations

Totally sealed housings with sealed overlap Lens Frames, silicone set lenses, captive flat head screws, and uniform lighting make CGA Series ideally suited for CLEANROOM, Hospital, Food processing, and Scientific lab areas, where contamination free environment is a must.

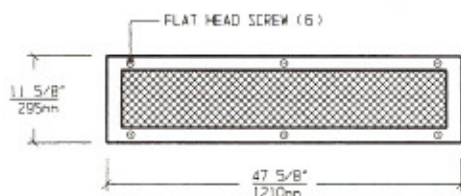
FEATURES

- ♦ 1' X 4' sealed, painted white, 20 ga. Housing seals to grid
- ♦ Suitable for high pressure Hosedown
- ♦ Same Housing fits 1", 1-1/2" and 2" standard T-grid ceiling
- ♦ One piece Lens Frame is gasketed and seals to grid
- ♦ Lens is silicone sealed to Lens Frame
- ♦ Gasketed Access Plate (Optional Internal Junction Box)
- ♦ Low brightness Lens installed smooth side to room
- ♦ Captive flat head Screws (6)
- ♦ Manufactured in accordance to NSF, FDA, USDA and Federal Standard 209D
- ♦ Suitable for Class 10 - Class 100,000 Cleanrooms

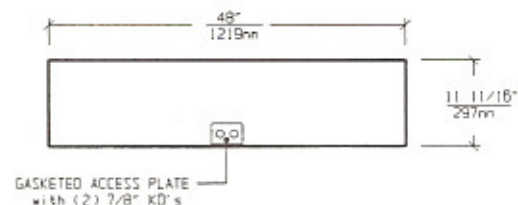
CROSS SECTION



LENS FRAME DIMENSIONS



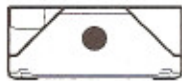
TOP VIEW



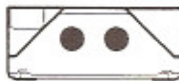
SPECIFICATIONS

<p>A. HOUSING Die formed 20 gauge cold rolled steel Housing, with welded seams. Painted white.</p> <p>B. LENS FRAME Die formed one piece 18 gauge cold rolled steel Lens Frame. Painted white.</p> <p>C. GASKET Closed cell gaskets and silicone seal prevent air and contaminants from entering the room.</p> <p>D. LENS Low brightness Lens with prisms up and smooth side to room for ease of cleaning. (See Options).</p> <p>E. FASTENERS Flush, captive stainless steel screws apply even pressure against Lens Frame.</p>	<p>F. HINGE Two "shadow free" detachable chains for ease of installation and maintenance.</p> <p>G. BALLAST HPF, Class P, Energy saving (See Voltage, Ballast Options).</p> <p>H. LAMPS 32W T-8 or 40W T-12 Lamps. See Lamp Options. (Lamps by others).</p> <p>I. FINISH Polyester Powder coat white finish with 92% reflectance.</p> <p>J. UL LISTED Suitable for Wet Locations.</p>
--	--

LAMP SELECTION



LAMPS: (1) 32W T-8
(1) 40W T-12



LAMPS: (2) 32W T-8
(2) 40W T-12



LAMPS: (3) 32W T-8
(3) 40W T-12

ORDERING INFORMATION

CGA - 14 -

No. of LAMPS	WATTAGE	VOLTAGE	BALLAST	LENS OPTION	OPTIONS
1=1 Lamp	32=32 Watts	120=120 Volts	EB=Electronic	12PA=.125"Prism. Acrylic	TP=Tamperproof screws
2=2 Lamps	(T-8)	277=277 Volts	Ballast	15PA=.156"Prism. Acrylic	GF=GLR Fuse
3=3 Lamps	40=40 Watts	347=347 Volts	MB=Magnetic	15PG=.156"Prism. Glass	NL=Night Light(PL-7or 9)
4=4 Lamps	(T-12)		Ballast	18PP=.187"Prism. P/C	DB=Dimming Ballast
			EB2=(2) Electr.	UO = UV Absorbing	EM=Emergency Lighting
			Ballasts	Overlay	CW=Cold Weather Ballast
			EBH=<10% THD	(Other Lens Options available. Consult Factory)	RF=Radio Frequency Interference Filter
			EI. Ballast		JB=Internal Junction Box
					AHP=Aluminum Housing Painted
					AFP=Aluminum Lens Frame, Painted
					AFA=Aluminum Lens Frame, Anodized
					SHP=Stainless Steel Housing, Painted
					SFP=Stainless Steel Lens Frame, Painted
					SFN=Stainless Steel Lens Frame, Natural
					SG=Special Grid Housing (Specify grid)

(More than one Option can be specified)

EXAMPLE: CGA - 14 - 2 - 32 - 277 - EB - 12PA - GF - NL

DESCRIPTION: CGA-14 = Series CGA, 1 foot by 4 feet nominal size
 2 = 2 Lamps
 32 = 32 Watts T-8 Lamps
 277 = 277 Volt Operation
 EB = Electronic Ballast
 12PA = .125" Thick Prismatic Acrylic
 GF = GLR Fuse
 NL = Night Light for PL - 7 or 9

FIXTURE TYPE		COMMENTS
CATALOG NUMBER	CGA-14-	
JOB NAME		
APPROVAL		
DATE		

Dimensions and Specifications subject to change without notice
 Fixture guaranteed for one year against mechanical defects in manufacture.
 2 - 97 CGA-14