

**LIGHTING FOR COMPLEX ENVIRONMENTS**

**2' X 4'**

**APPLICATIONS**

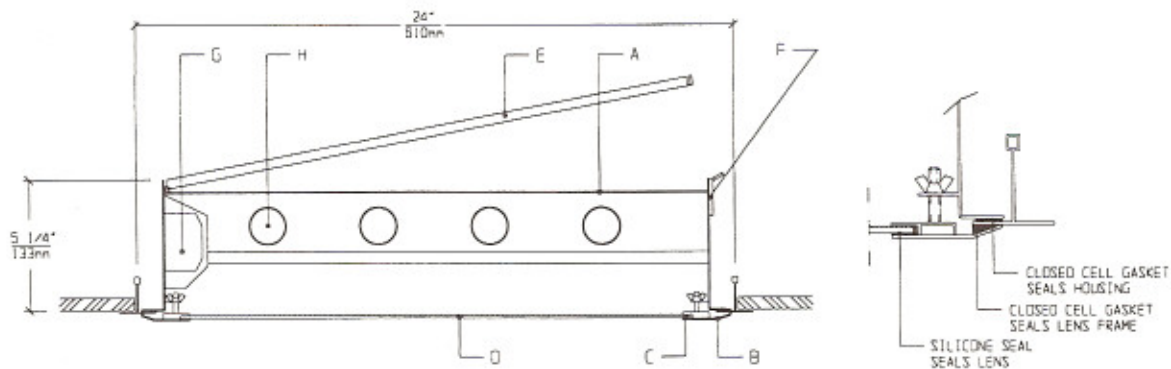
- Cleanrooms
- Food processing centers
- Hospitals
- Pharmaceutical and Biological labs
- Wet Locations

Permanently sealed to ceiling housings with Top Access, overlap Lens Frames, silicone set lenses, and uniform lighting make CGT Series ideally suited for CLEANROOM, Hospital, Food processing, and Scientific lab areas, where contamination free environment is a must.

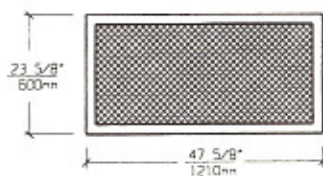
**FEATURES**

- ♦ 2' X 4' sealed, painted white, 20 ga. Housing seals to grid
- ♦ Suitable for high pressure Hosedown
- ♦ Same Housing fits 1", 1-1/2" and 2" standard T-grid ceiling
- ♦ Overlap 18 ga. Lens Frame is gasketed and seals to grid
- ♦ Lens Frame is permanently installed and sealed to ceiling
- ♦ Hinged gasketed Access Door on top of Housing
- ♦ Low brightness Lens installed smooth side to room
- ♦ Suitable for Class 10 - Class 100,000 Cleanrooms
- ♦ Manufactured in accordance to NSF, FDA, USDA and Federal Standard 209D
- ♦ Lens is silicone sealed to Lens Frame

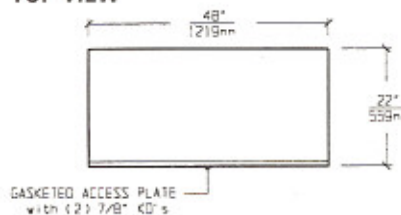
**CROSS SECTION**



**LENS FRAME DIMENSIONS**



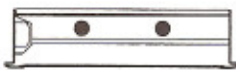
**TOP VIEW**



**SPECIFICATIONS**

<p><b>A. HOUSING</b> Die formed 20 gauge cold rolled steel Housing, with welded seams.</p> <p><b>B. LENS FRAME</b> Die formed one piece 18 gauge cold rolled steel Lens Frame. Permanently seals to ceiling.</p> <p><b>C. GASKET</b> Closed cell gaskets and silicone seal prevent air and contaminants from entering the room.</p> <p><b>D. LENS</b> Low brightness Lens with prisms up and smooth side to room for ease of cleaning. (See Options).</p> <p><b>E. TOP DOOR</b> Hinged, gasketed full size top access Door used for relamping and maintenance.</p>	<p><b>F. LATCHES</b> Three draw style latches keep access door closed to prevents dust accumulation inside of housing.</p> <p><b>G. BALLAST</b> HPF, Class P, Energy saving (See Voltage, Ballast Options).</p> <p><b>H. LAMPS</b> 32W T-8 or 40W T-12 Lamps. See Lamp Options. (Lamps by others).</p> <p><b>I. FINISH</b> Polyester Powder coat white finish with 92% reflectance.</p> <p><b>J. UL LISTED</b> Suitable for Wet Locations.</p>
--	--

LAMP SELECTION



LAMPS: (2) 32W T-8  
(2) 40W T-12



LAMPS: (3) 32W T-8  
(3) 40W T-12



LAMPS: (4) 32W T-8  
(4) 40W T-12

ORDERING INFORMATION

CGT - 24 -

No. of LAMPS	WATTAGE	VOLTAGE	BALLAST	LENS OPTION	OPTIONS
2=2 Lamps	32=32 Watts	120=120 Volts	EB=Electronic Ballast	12PA=.125"Prism. Acrylic	NL=Night Light(PL-7or 9)
3=3 Lamps	(T- 8)	277=277 Volts	Ballast	15PA=.156"Prism. Acrylic	GF=GLR Fuse
4=4 Lamps	40=40 Watts	347=347 Volts	MB=Magnetic Ballast	15PG=.156"Prism. Glass	EM=Emergency Lighting
6=6 Lamps	(T-12)		EB2=(2) Electr. Ballasts	18PP=.187"Prism. P/C	DB=Dimming Ballast
			EBH=<10% THD El. Ballast	UO = UV Absorbing Overlay	CW=Cold Weather Ballast
				(Other Lens Options available. Consult Factory)	RF=Radio Frequency Interference Filter
					AHP=Aluminum Housing Painted
					AFP=Aluminum Lens Frame, Painted
					AFA=Aluminum Lens Frame, Anodized
					SHP=Stainless Steel Housing, Painted
					SFP=Stainless Steel Lens Frame, Painted
					SFN=Stainless Steel Lens Frame, Natural

(More than one Option can be specified)

EXAMPLE: CGT - 24 - 4 - 32 - 277 - EB - 12PA - GF - NL

DESCRIPTION: CGT-24 = Series CGT, 2 feet by 4 feet nominal size  
 4 = 4 Lamps  
 32 = 32 Watts T-8 Lamps  
 277 = 277 Volt Operation  
 EB = Electronic Ballast  
 12PA = .125"Thick Prismatic Acrylic  
 GF = GLR Fuse  
 NL = Night Light for PL - 7 or 9

FIXTURE TYPE		COMMENTS
CATALOG NUMBER	CGT-24-	
JOB NAME		
APPROVAL		
DATE		

Dimensions and Specifications subject to change without notice  
 Fixture guaranteed for one year against mechanical defects in manufacture.  
 2 - 97 CGT-24