

**LIGHTING FOR COMPLEX ENVIRONMENTS**

**5 X 13 in.**

**APPLICATIONS**

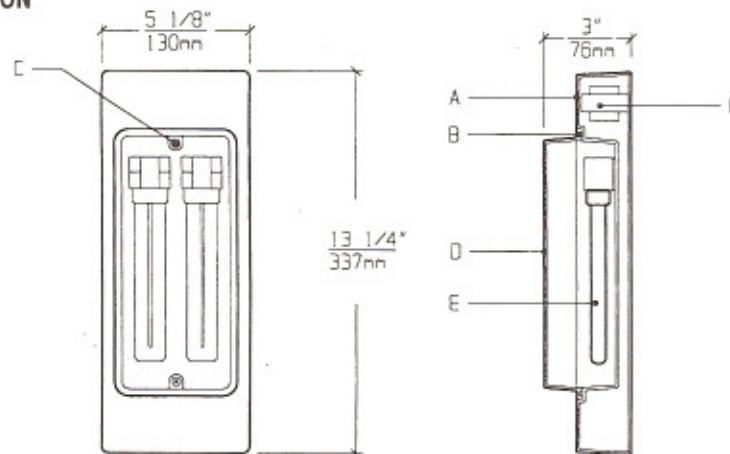
- Schools / Universities
- Apartments / Condominiums / Public Housing
- Convenience Stores
- Government Facilities
- Hospitals

Die cast aluminum Housings with molded unbreakable lenses and tamperproof screws help VWP Series withstand severe punishment, and make them ideally suited for VANDAL and HIGH ABUSE areas, where deliberate tampering is expected.

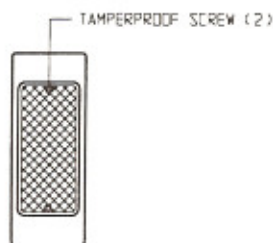
**FEATURES**

- ♦ Heavy duty die cast aluminum Housing
- ♦ 5 in. by 13 in. nominal size
- ♦ Injection molded prismatic polycarbonate Refractor provides uniform illumination
- ♦ Tamperproof Screws (Torx head standard)
- ♦ Wall or Ceiling mounted
- ♦ Non-corrosive durable coating
- ♦ Maintenance free, one time installation
- ♦ Stands up to physical impact and tampering
- ♦ Choice of Bronze, White or Black Housing

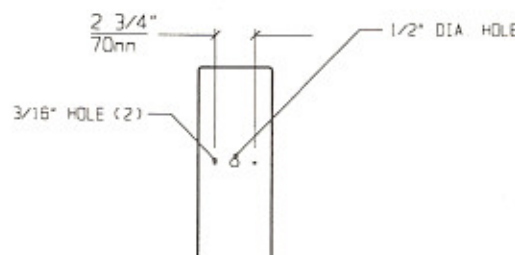
**FRONT VIEW / CROSS SECTION**



**LENS / HOUSING**



**BACK VIEW / MOUNTING DIMENSIONS**



**SPECIFICATIONS**

<p><b>A. HOUSING</b> Heavy duty die cast aluminum Housing. Bronze color standard. (For others see Options).</p> <p><b>B. GASKET</b> Polyurethane Gasket around inside of Lens to prevent light leaks.</p> <p><b>C. FASTENERS</b> Captive tamperproof fasteners. (Torx head standard. For others see Options).</p> <p><b>D. LENS</b> .125" prismatic polycarbonate Lens with internal prisms for even illumination. Injection molded.</p>	<p><b>E. LAMPS</b> 7W, 9W, or 13W Twin Tube Lamps. See Lamp Options. (Lamps by others).</p> <p><b>F. BALLAST</b> NPF, self-start Class P, Ballast (See Voltage, Ballast Options).</p> <p><b>G. FINISH</b> Polyester Powder coat finish with 92% reflectance</p> <p><b>H. U.L. LISTED</b> Suitable for Damp Locations. Wet Locations construction available.</p>
--	---

LAMP SELECTION



LAMPS: (1) 7W TWIN  
(1) 9W TWIN  
(1) 13W TWIN



LAMPS: (2) 7W TWIN  
(2) 9W TWIN  
(2) 13W TWIN

ORDERING INFORMATION

VWP - 5 -

No. of LAMPS	WATTAGE	VOLTAGE	BALLAST	OPTIONS
1=1 Lamp	7 = 7W Twin	120=120 Volts	MB=Magnetic	OL=Opal Lens
2=2 Lamps	9 = 9W Twin	277=277 Volts	Ballast	GF=GLR Fuse
	13=13W Twin (120V only)	347=347 Volts		AH=Allen Head Screws
				OH=Oval Head Screws
				BRZ=Bronze Housing (standard)
				BLK=Black Housing
				WHT=White Housing
				HP=High Power Factor

(More than one Option  
can be specified)

**EXAMPLE: VWP - 5 - 2 - 9 - 277 - MB - GF - AH**

**DESCRIPTION:** VWP-5 = Series VWP, 5 inches by 13 inches nominal size  
 2 = 2 Lamps  
 9 = 9 Watts Biax Twin Tube  
 277 = 277 Volt Operation  
 MB = Magnetic Ballast  
 GF = GLR Fuse  
 AH = Allen Head Screws

FIXTURE TYPE		COMMENTS
CATALOG NUMBER	VWP-5-	
JOB NAME		
APPROVAL		
DATE		

Dimensions and Specifications subject to change without notice  
 Fixture guaranteed for one year against mechanical defects in manufacture.  
 2-97 VWP-5